



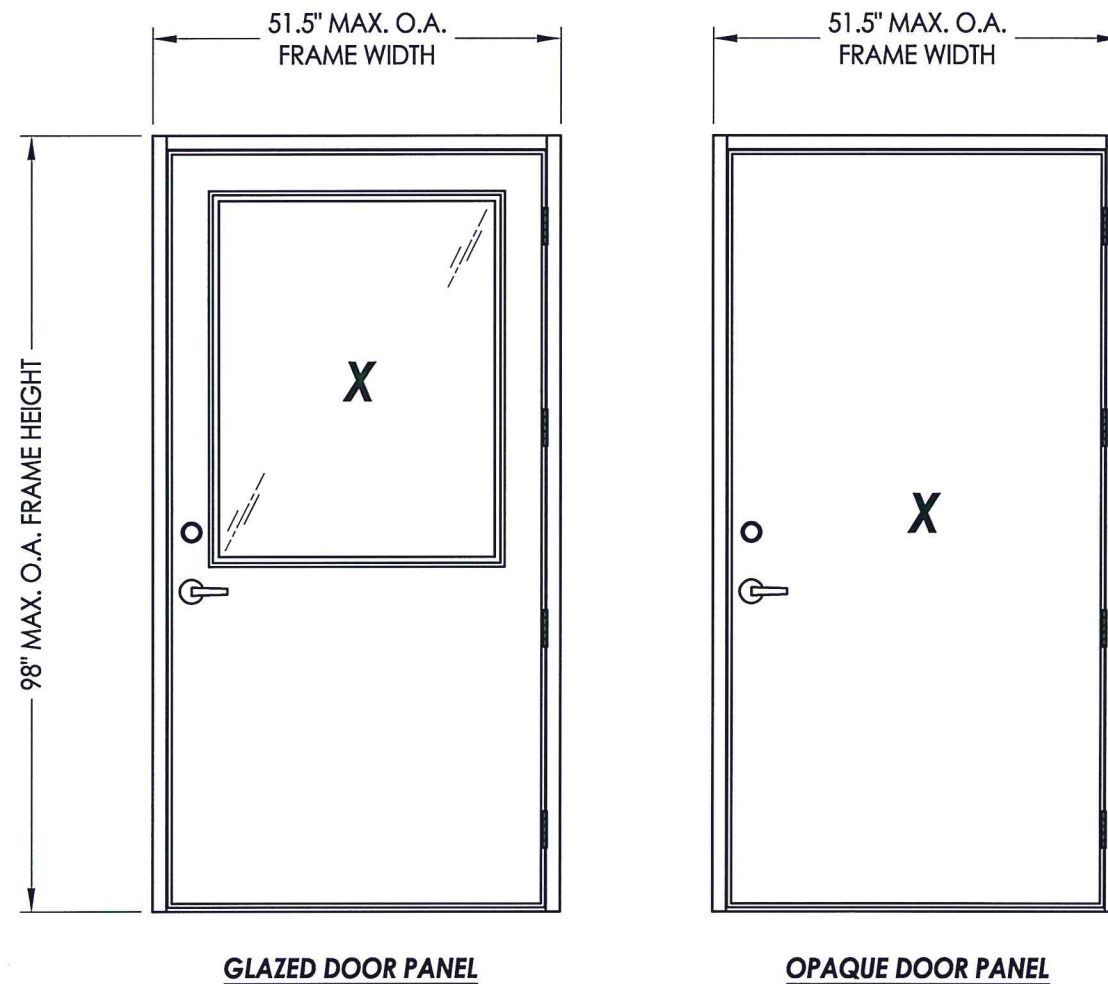
**CLINE ALUMINUM DOORS, INC.**  
 112 32nd AVENUE WEST, BRADENTON, FL 34205-8096  
 Telephone (800) 648-6736

## SERIES 200BE FRP DOOR OUTSWING "IMPACT"

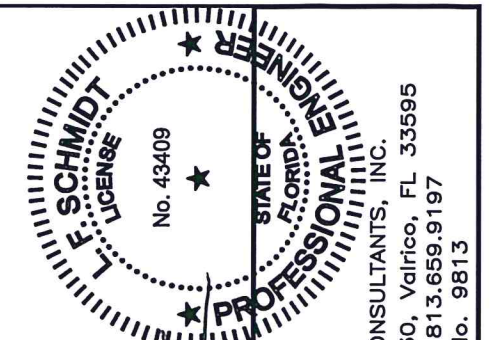
### GENERAL NOTES

1. This product has been evaluated and is in compliance with the 5th Edition (2014) Florida Building Code (FBC) structural requirements excluding the "High Velocity Hurricane Zone" (HVHZ).
2. Product anchors shall be as listed and spaced as shown on details. Anchor embedment to base material shall be beyond wall dressing or stucco.
3. When used in areas requiring wind borne debris protection this product complies with Section 1609.1.2 of the FBC and does not require an impact resistant covering. This product meets missile level "D" and includes Wind Zone 4 as defined in ASTM E 1996 and Section 1609.1.2.2 of the FBC.
4. For 2x stud framing construction, anchoring of these units shall be the same as that shown for 2x buck masonry construction.
5. Site conditions that deviate from the details of this drawing require further engineering analysis by a licensed engineer or registered architect.

TABLE OF CONTENTS	
SHEET#	DESCRIPTION
1	Typical elevations, design pressures & general notes
2	Door panel details and glazing detail
3	Horizontal cross sections
4	Vertical cross sections
5	Buck and frame anchoring (4' X 8')
6	Buck and frame anchoring (3' X 7')
7	Bill of materials and components



LOCK HARDWARE	MAX. FRAME DIMENSION	MAX. DOOR D.L.O. DIMENSION	DESIGN PRESSURE (PSF)	
			POSITIVE	NEGATIVE
LATCH & DEADBOLT	51.5" x 98.0"	34.88" X 44.88"	+55.0	-55.0
	40.0" x 88.0"	22.75" X 32.75"	+90.0	-90.0

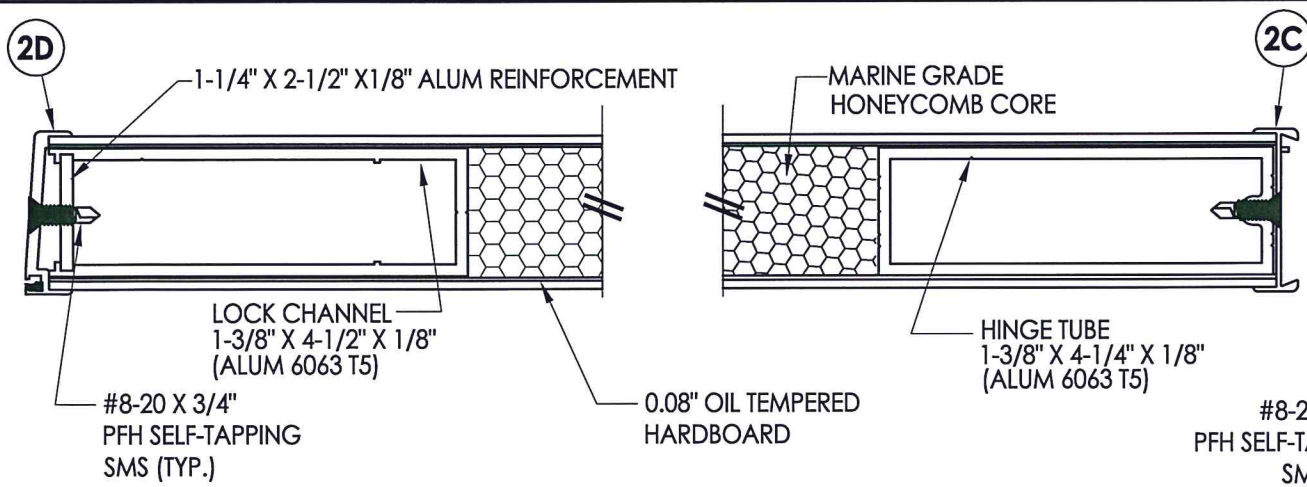


Documents Prepared By:  
 Lyndon F. Schmidt  
 P.E. No. 43409

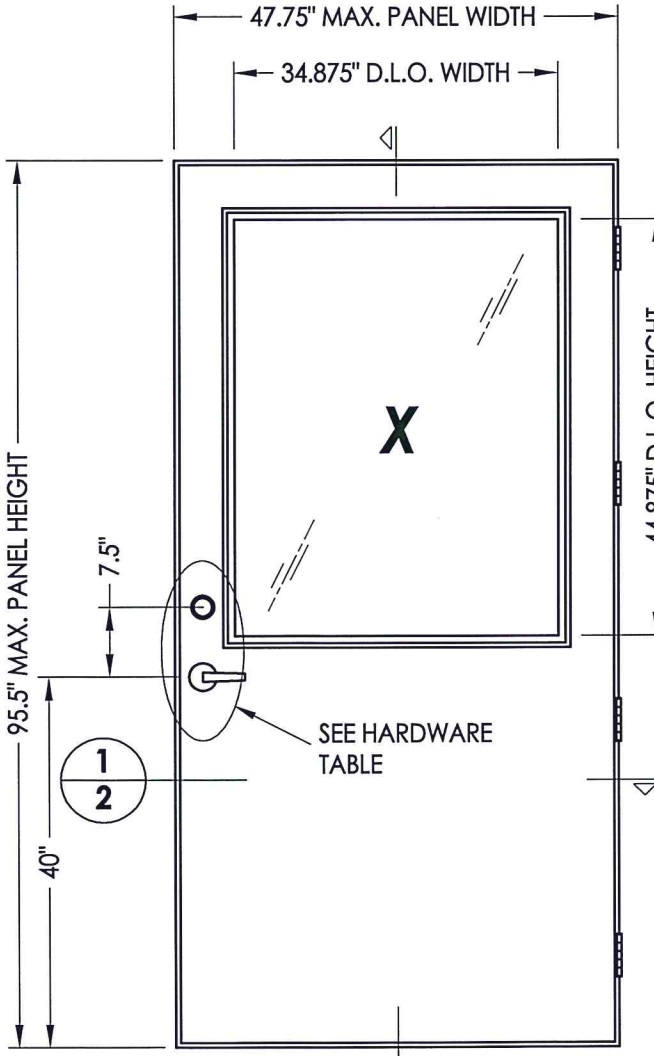
*R.W.* BUILDING CONSULTANTS, INC.  
 P.O. Box 230, Valrico, FL 33595  
 Phone No.: 813.659.9197  
 FBPE C.A. No. 9813

PRODUCT:	CLINE DOORS	
PART OR ASSEMBLY:	TYPICAL ELEVATION, DESIGN PRESSURES & GENERAL NOTES	
NO.	DATE	BY
3	9/9/15	JK
2	1/27/15	JK
1	4/10/12	JK
REVISIONS		
DATE:	6/8/11	
SCALE:	N.T.S.	
DWG. BY:	JK	
CHK. BY:	LFS	
DRAWING NO.:	FL-6336.3	
SHEET	1 OF 7	

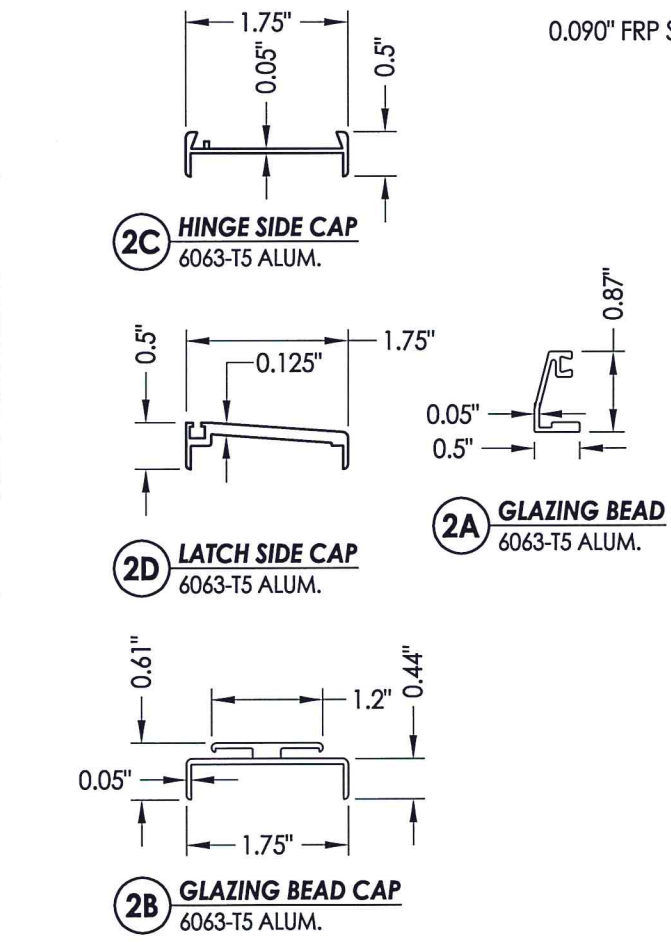
R:\Clients\Cline Aluminum Doors PERMANENTVA - Florida Product Approvals\FL-6336\C - Drawings\Current\FL-6336.1-4.dwg, FL-6336.3



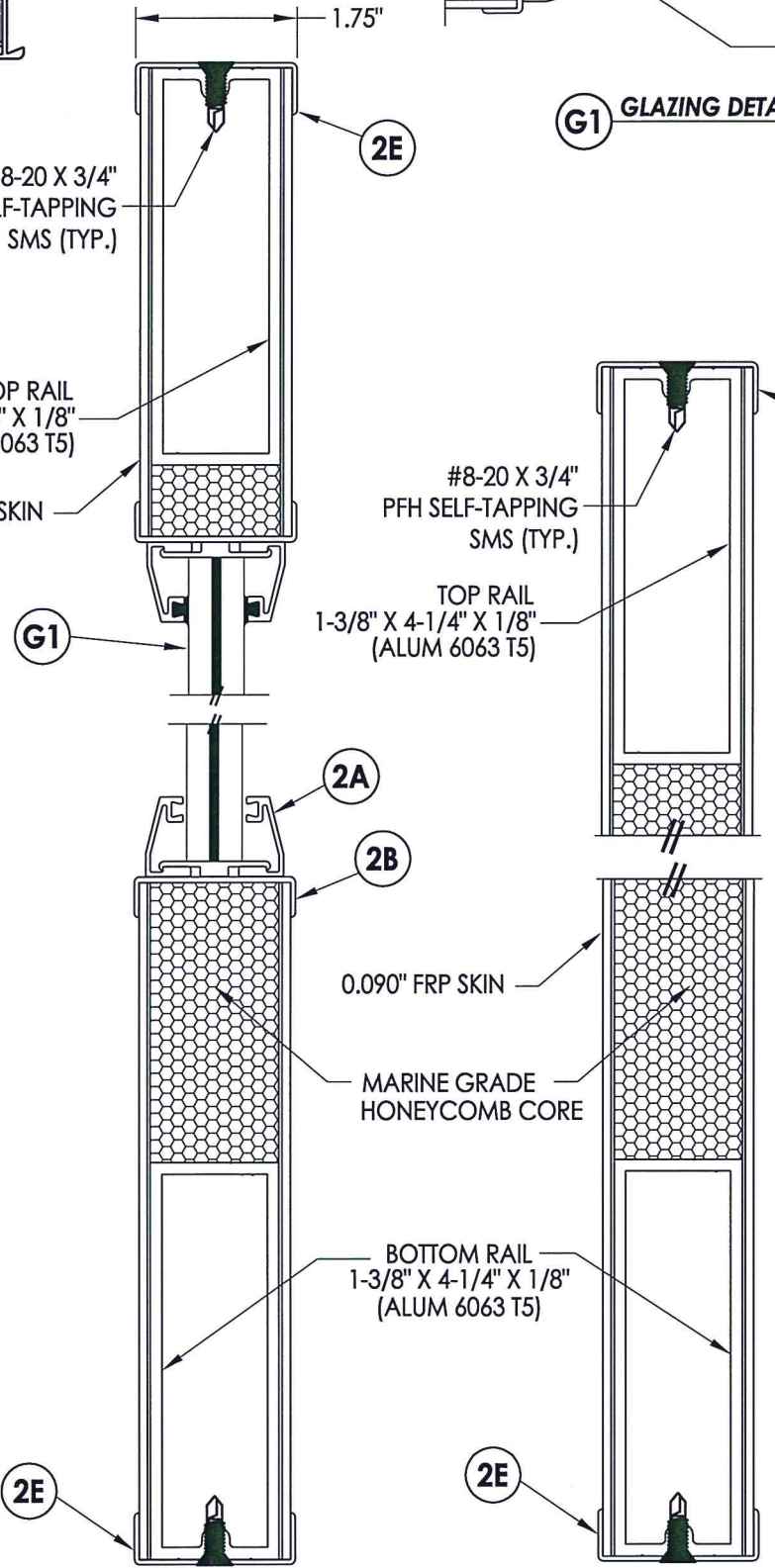
**1**  
**2** **HORIZONTAL CROSS SECTION**



**2**  
**2** **40 GLAZED DOOR PANEL**

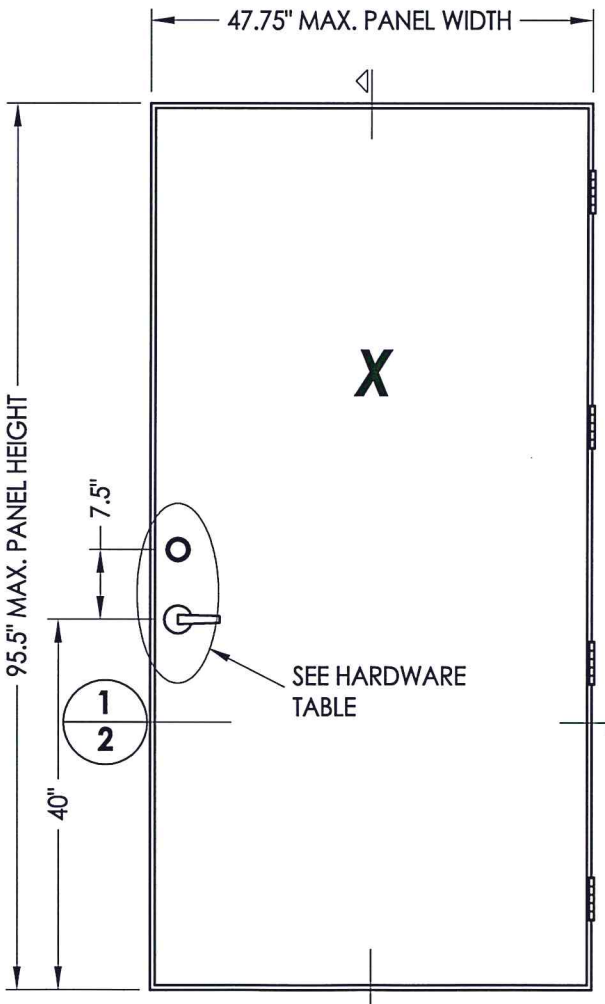
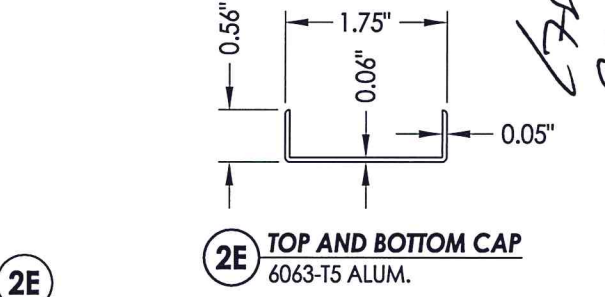


HARDWARE TABLE		
MANUFACTURER	MODEL	
CORBIN	LEVER:	SERIES CL3500
RUSSWIN	DEADBOLT:	SERIES DL3000

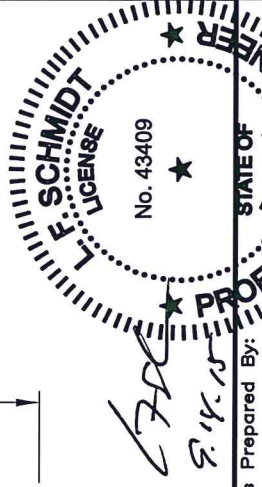


**2**  
**2** **2E VERTICAL CROSS SECTION**  
 Glazed Shown

**3**  
**2** **2E VERTICAL CROSS SECTION**  
 Opaque Shown



**3**  
**2** **40 OPAQUE DOOR PANEL**

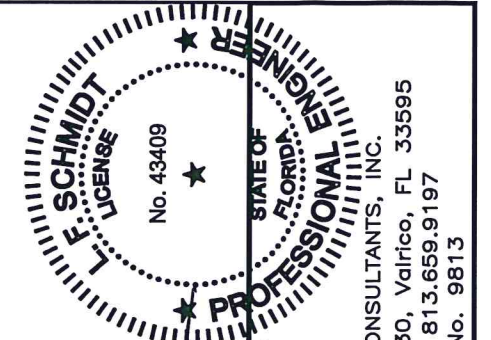
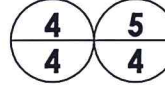
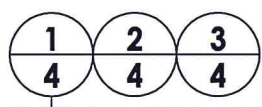
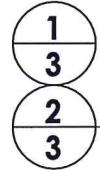
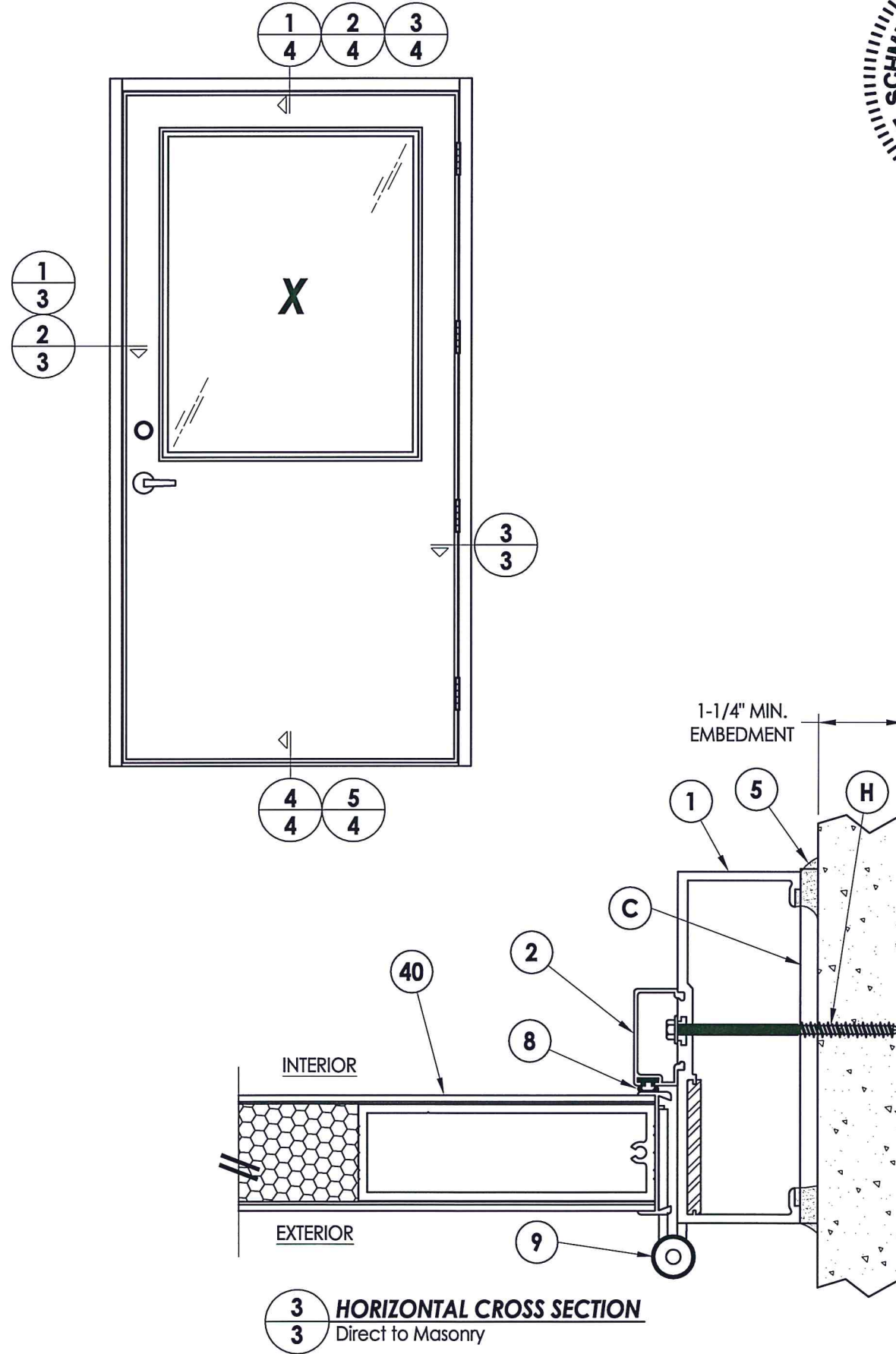
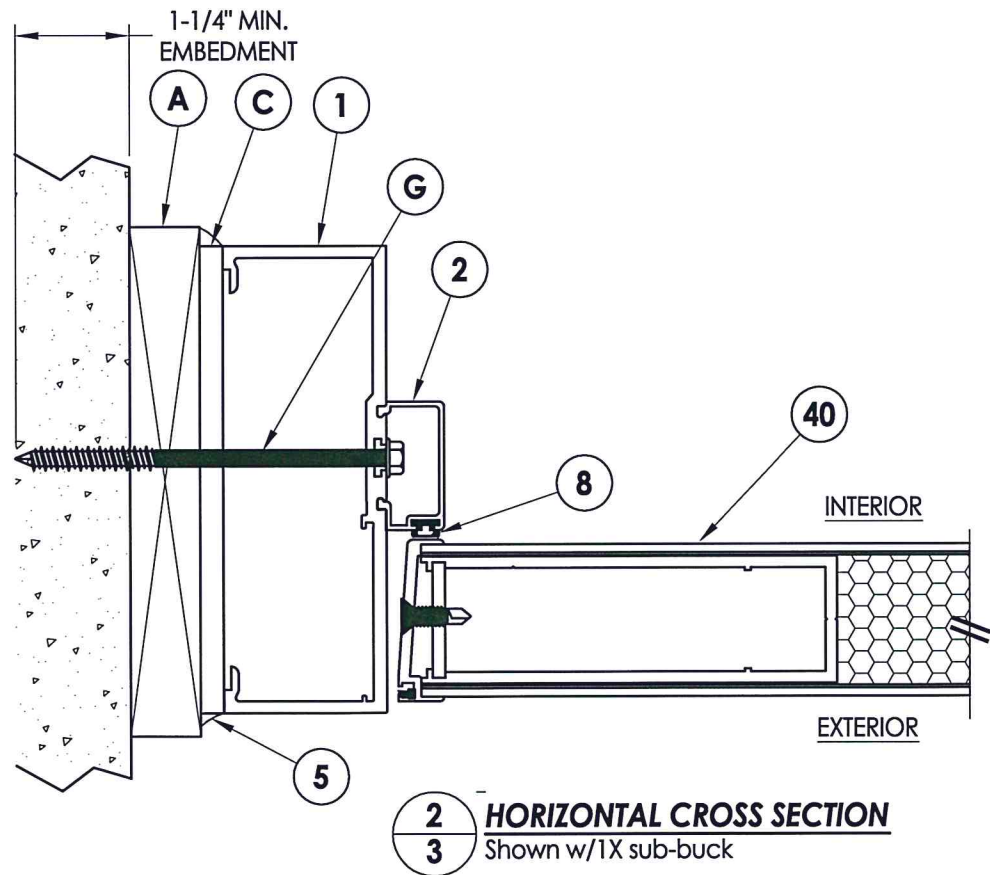
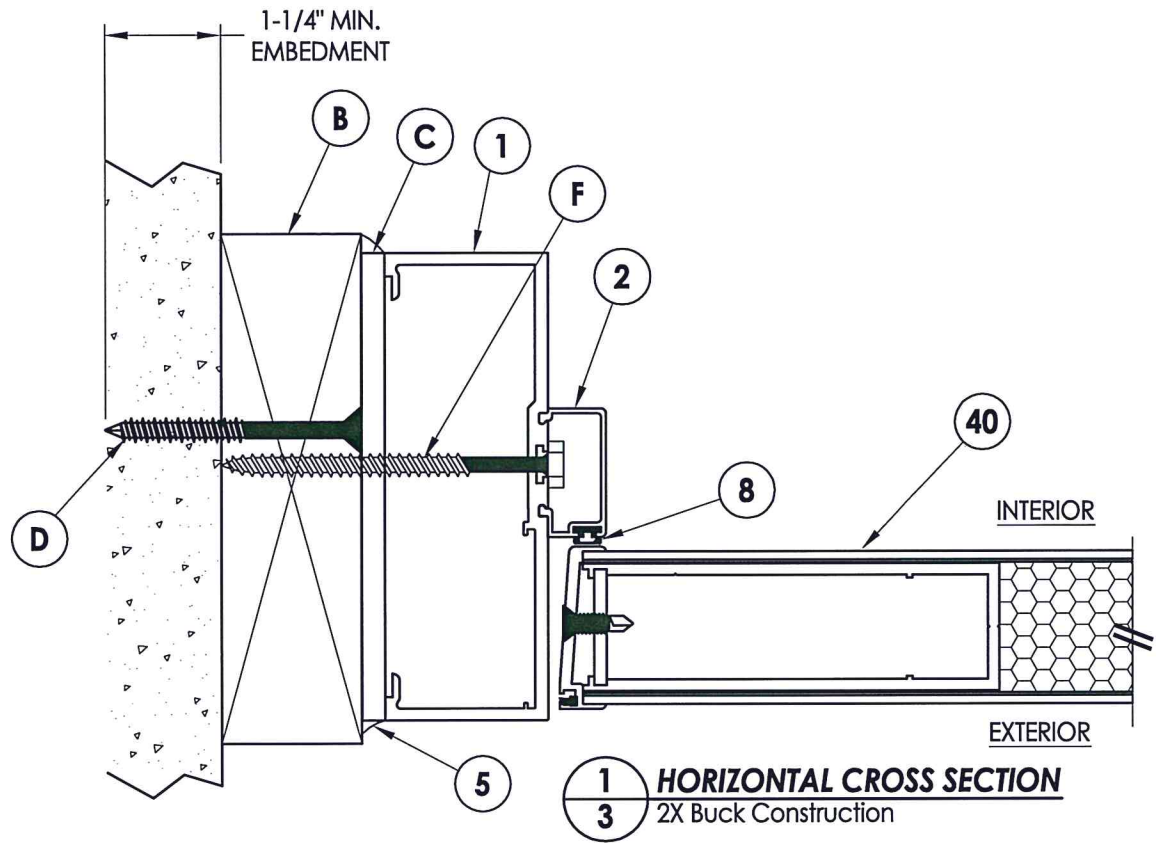


Documents Prepared By:  
 Lyndon F. Schmidt  
 P.E. No. 43409

**R.W.**  
 BUILDING CONSULTANTS, INC.  
 P.O. Box 230, Valrico, FL 33595  
 Phone No.: 813.659.9197  
 FBPE C.A. No. 9813

PRODUCT:	CLINE DOORS	
PART OR ASSEMBLY:	DOOR PANEL DETAILS AND GLAZING DETAIL	
NO.	DATE	BY
3	9/9/15	JK
2	1/27/15	JK
1	4/10/12	JK
		BY

DATE:	6/8/11
SCALE:	N.T.S.
DWG. BY:	JK
CHK. BY:	LFS
DRAWING NO.:	FL-6336.3
SHEET	2 OF 7



LFS  
9.14.15

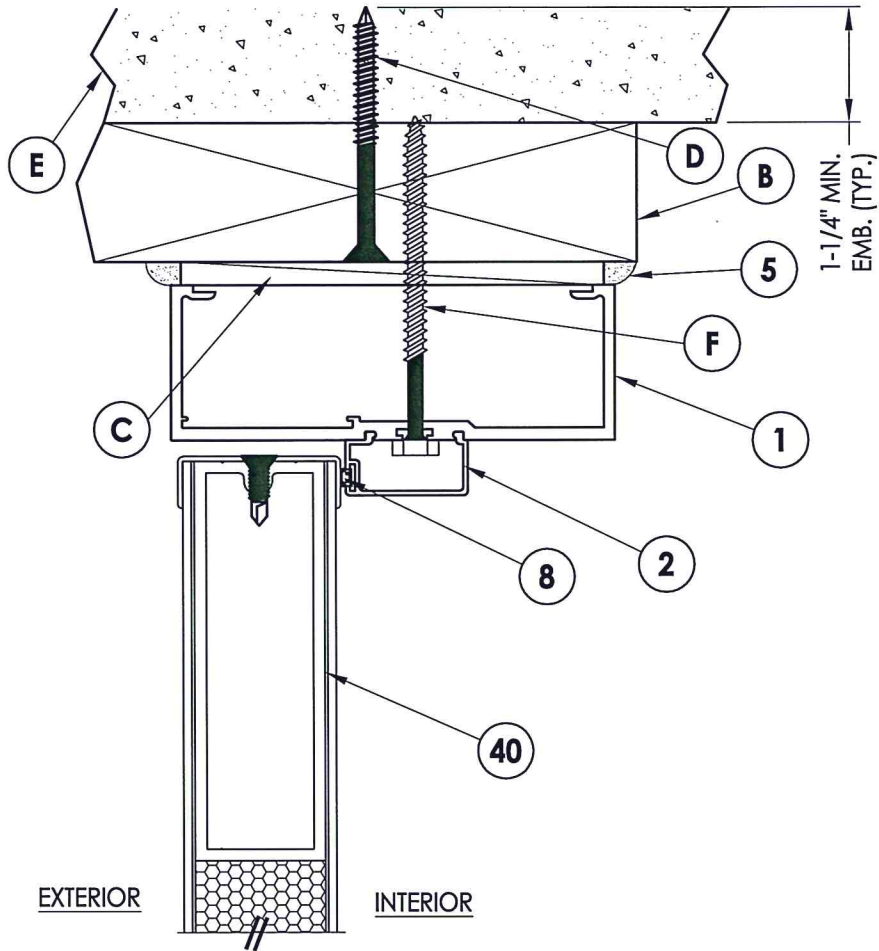
Documents Prepared By:  
Lyndon F. Schmidt  
P.E. No. 43409

RW BUILDING CONSULTANTS, INC.  
P.O. Box 230, Vairico, FL 33595  
Phone No.: 813.659.9197  
FBPE C.A. No. 9813

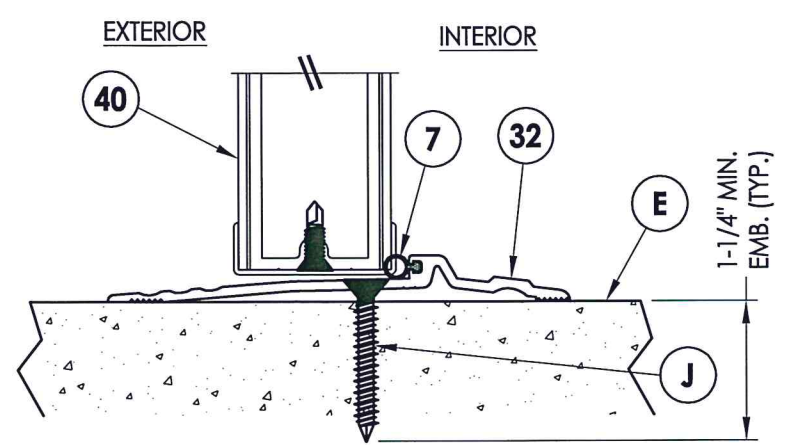
PRODUCT: CLINE DOORS  
PART OR ASSEMBLY: HORIZONTAL CROSS SECTIONS

NO.	DATE	BY
3	9/9/15	JK
2	1/27/15	JK
1	4/10/12	JK

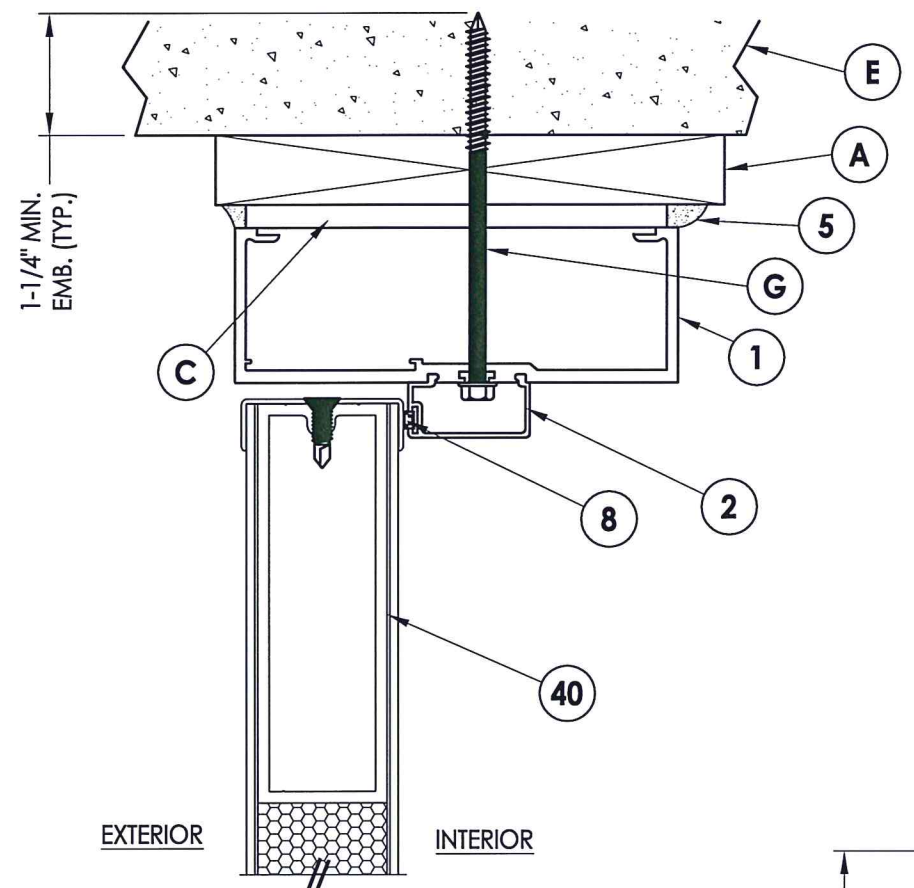
DATE: 6/8/11  
SCALE: N.T.S.  
DWG. BY: JK  
CHK. BY: LFS  
DRAWING NO.: FL-6336.3  
SHEET 3 OF 7



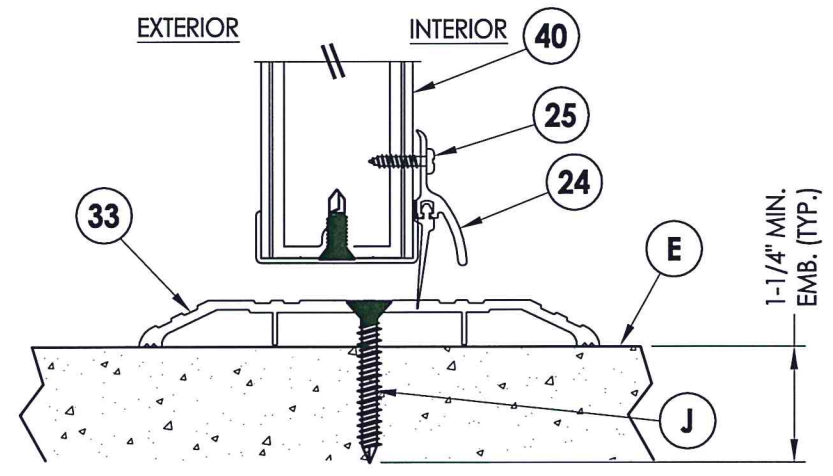
**1** VERTICAL CROSS SECTION  
**4** 2X Buck Construction



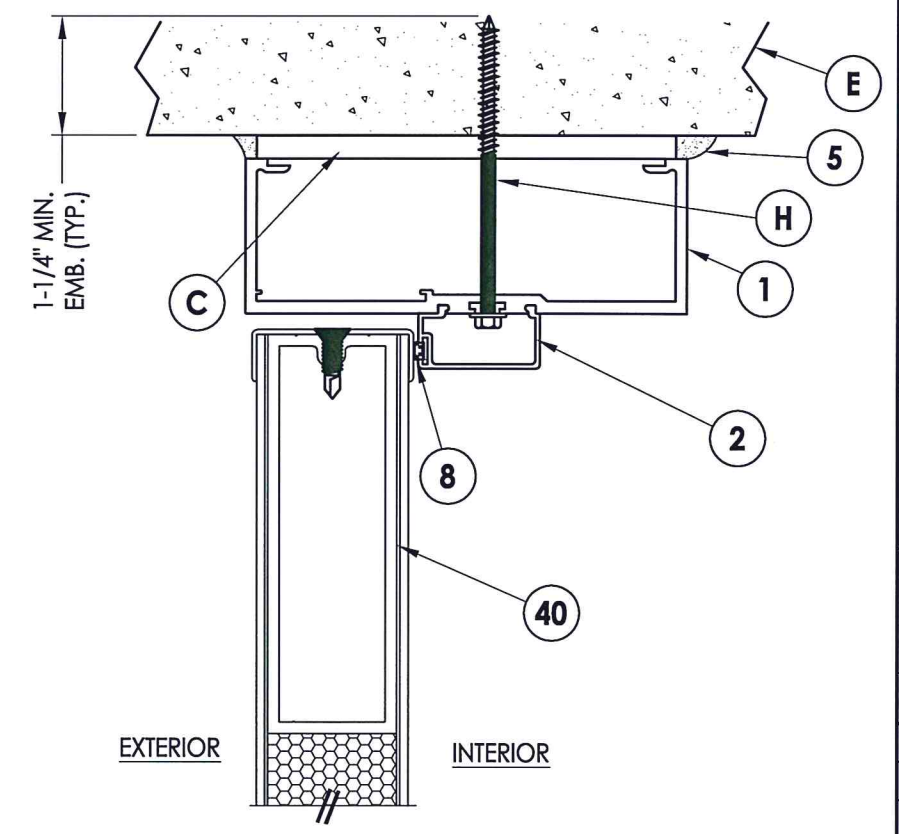
**4** VERTICAL CROSS SECTION  
**4**



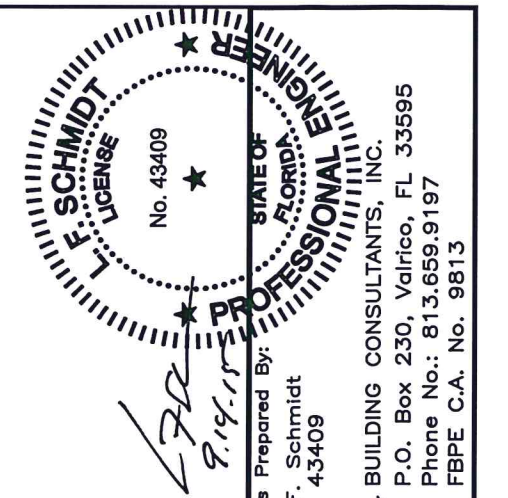
**2** VERTICAL CROSS SECTION  
**4** Shown w/1X sub-buck



**5** VERTICAL CROSS SECTION  
**4**



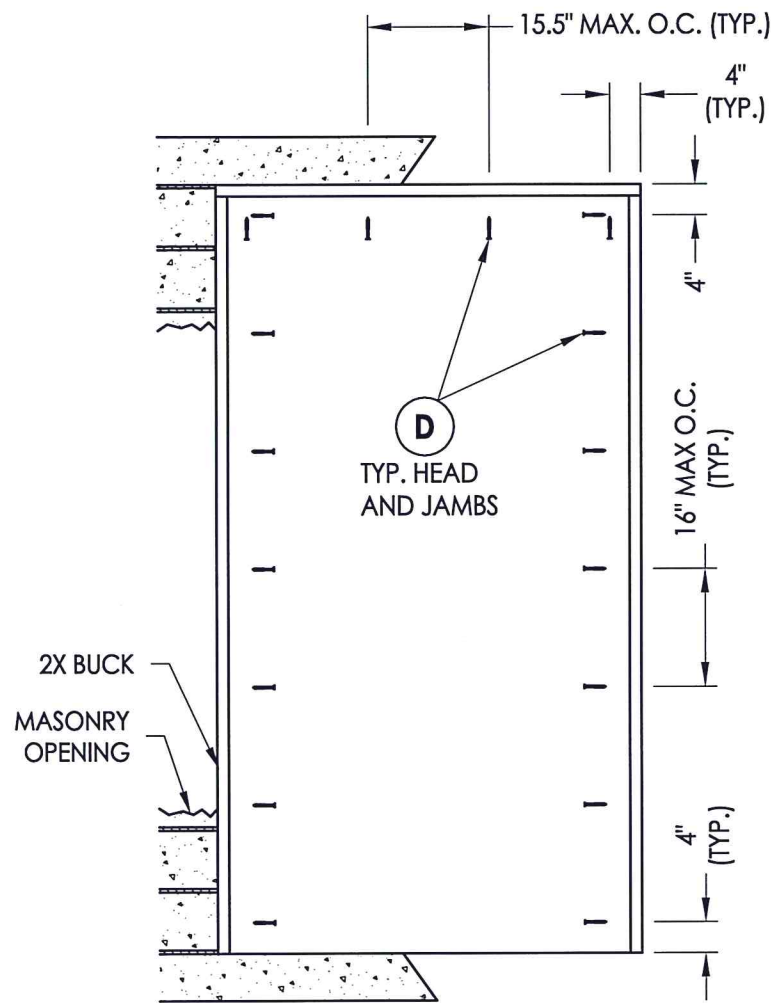
**3** VERTICAL CROSS SECTION  
**4** Direct to Masonry



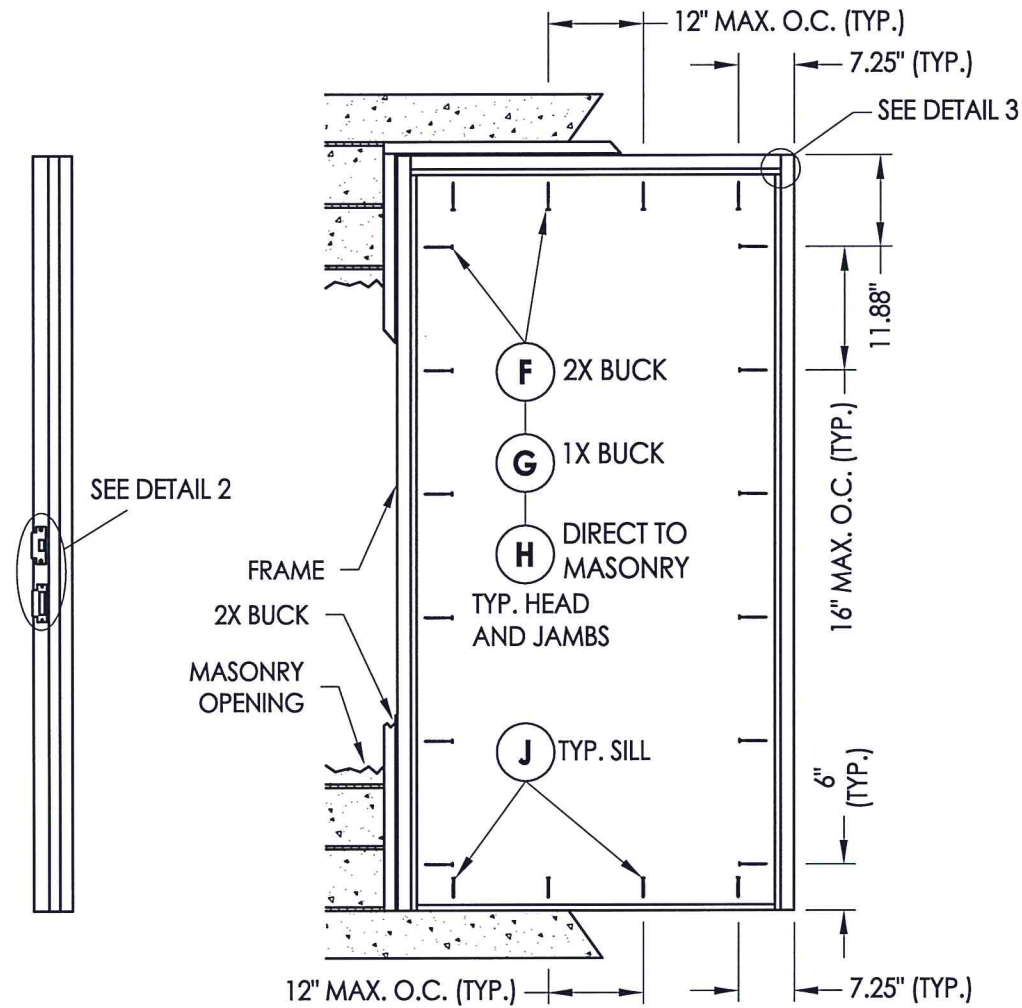
Documents Prepared By:  
 Lyndon F. Schmidt  
 P.E. No. 43409

R.W. BUILDING CONSULTANTS, INC.  
 P.O. Box 230, Valrico, FL 33595  
 Phone No.: 813.659.9197  
 FBPE C.A. No. 9813

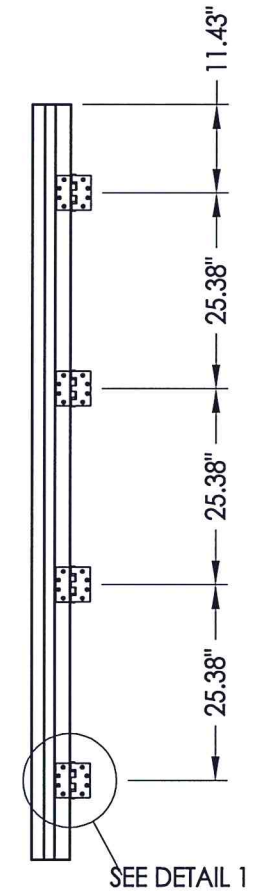
PRODUCT: CLINE DOORS	
PART OR ASSEMBLY: VERTICAL CROSS SECTIONS	
NO.	DATE
3	9/9/15
2	1/27/15
1	4/10/12
REVISIONS	
DATE:	6/8/11
SCALE:	N.T.S.
DWG. BY:	JK
CHK. BY:	LFS
DRAWING NO.:	FL-6336.3
SHEET	4 OF 7



**BUCK ANCHORING**



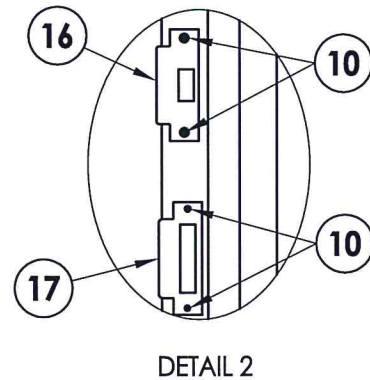
**FRAME ANCHORING**



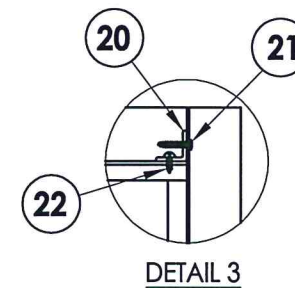
**HINGE JAMB**

**STRIKE JAMB**

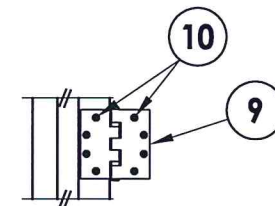
**MAX. FRAME DIMENSION 51.5" X 98.0"**



**DETAIL 2**



**DETAIL 3**



**DETAIL 1**

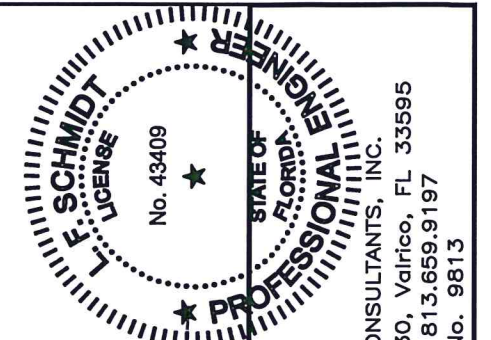
**CONCRETE ANCHOR NOTES:**

1. Concrete anchor locations at the corners may be adjusted to maintain the min. edge distance to mortar joints.
2. Concrete anchor locations noted as "MAX. ON CENTER" must be adjusted to maintain the min. edge distance to mortar joints, additional concrete anchors may be required to ensure the "MAX. ON CENTER" dimension are not exceeded.
3. Concrete anchor table:

ANCHOR TYPE	ANCHOR SIZE	MIN. EMBEDMENT	MIN. CLEARANCE TO MASONRY EDGE	MIN. CLEARANCE TO ADJACENT ANCHOR
ITW BUILDEX TAPCON®	1/4"	1-1/4"	2"	4"
ELCO ULTRACON®	1/4"	1-1/4"	1"	4"

**WOOD SCREW INSTALLATION NOTES:**

1. Maintain a minimum 5/8" edge distance, 1" end distance, & 1" o.c. spacing of wood screws to prevent the splitting of wood.



Documents Prepared By:  
Lyndon F. Schmidt  
P.E. No. 43409

*R.W.* BUILDING CONSULTANTS, INC.  
P.O. Box 230, Valrico, FL 33595  
Phone No.: 813.659.9197  
FBPE C.A. No. 9813

PRODUCT: CLINE DOORS

PART OR ASSEMBLY: BUCK AND FRAME ANCHORING (4" X 8")

NO.	DATE	REVISIONS
3	9/9/15	ADD OPAQUE DOOR JK
2	1/27/15	UPDATE TO 5TH ED. (2014) FBC JK
1	4/10/12	ADD ITEM #3 JK
		BY

DATE: 6/8/11

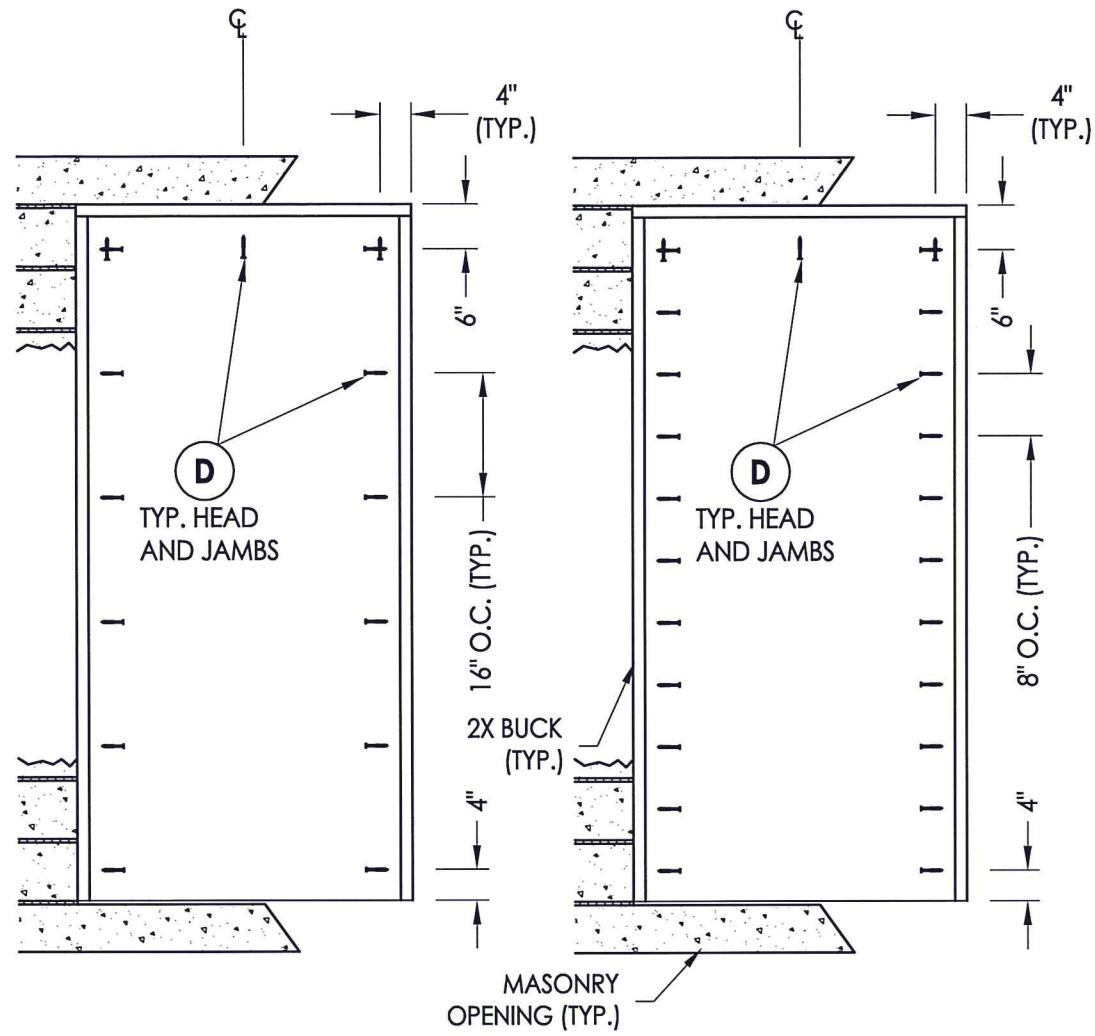
SCALE: N.T.S.

DWG. BY: JK

CHK. BY: LFS

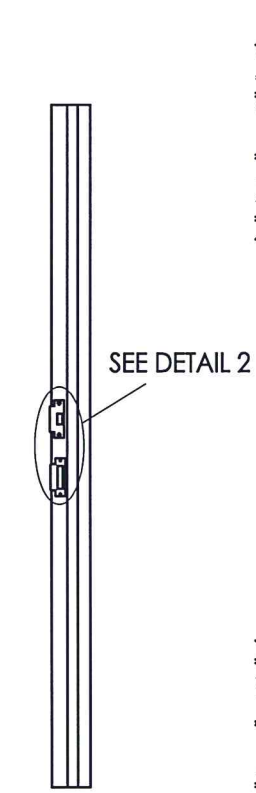
DRAWING NO.: FL-6336.3

SHEET 5 OF 7

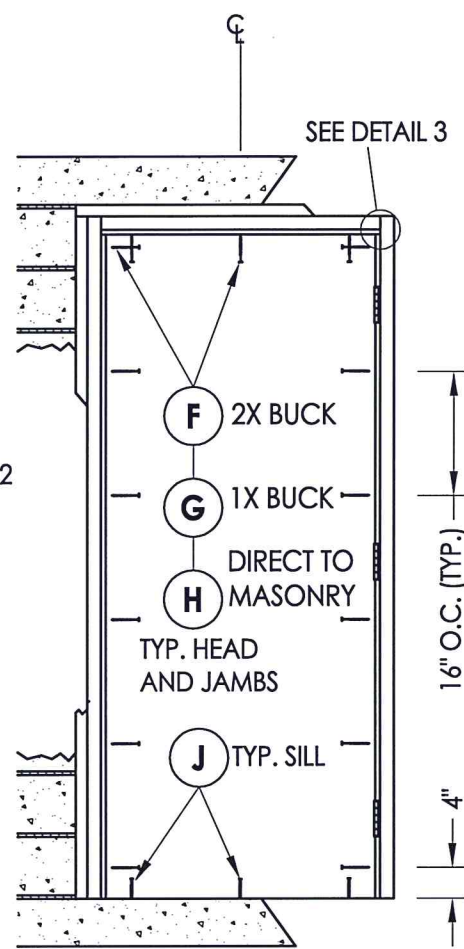


**BUCK ANCHORING**  
Max. D.P. <= 70 PSF

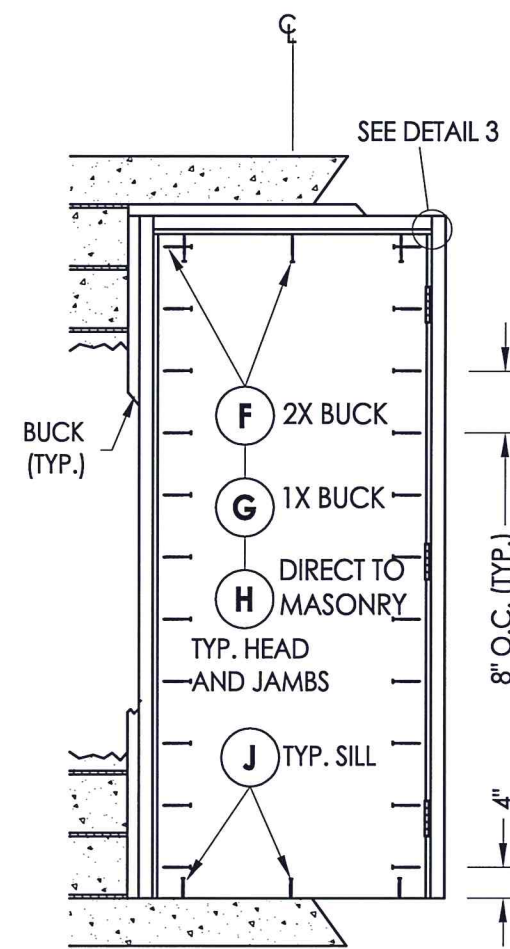
**BUCK ANCHORING**  
Max. D.P. <= 90 PSF



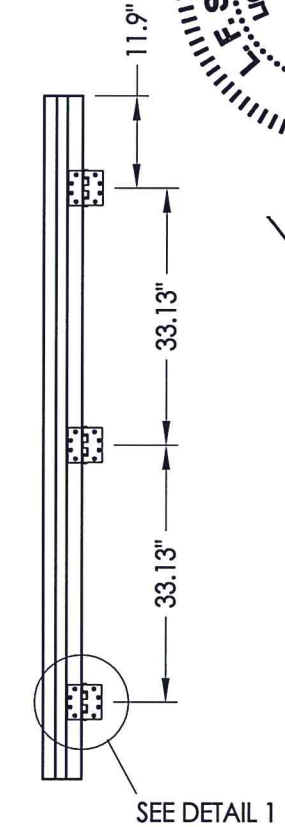
**STRIKE JAMB**



**FRAME ANCHORING**  
Max. D.P. <= 70 PSF



**FRAME ANCHORING**  
Max. D.P. <= 90 PSF



**HINGE JAMB**

**MAX. FRAME DIMENSION 40" X 88"**

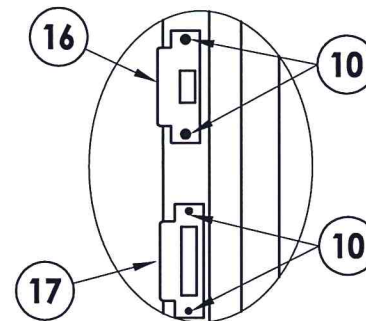
**CONCRETE ANCHOR NOTES:**

- Concrete anchor locations at the corners may be adjusted to maintain the min. edge distance to mortar joints.
- Concrete anchor locations noted as "MAX. ON CENTER" must be adjusted to maintain the min. edge distance to mortar joints, additional concrete anchors may be required to ensure the "MAX. ON CENTER" dimension are not exceeded.
- Concrete anchor table:

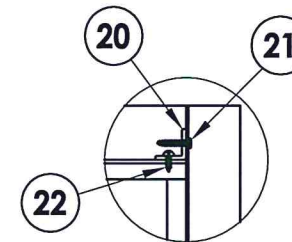
ANCHOR TYPE	ANCHOR SIZE	MIN. EMBEDMENT	MIN. CLEARANCE TO MASONRY EDGE	MIN. CLEARANCE TO ADJACENT ANCHOR
ITW BUILDEX TAPCON®	1/4"	1-1/4"	2"	4"
ELCO ULTRACON®	1/4"	1-1/4"	1"	4"

**WOOD SCREW INSTALLATION NOTES:**

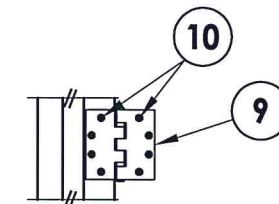
- Maintain a minimum 5/8" edge distance, 1" end distance, & 1" o.c. spacing of wood screws to prevent the splitting of wood.



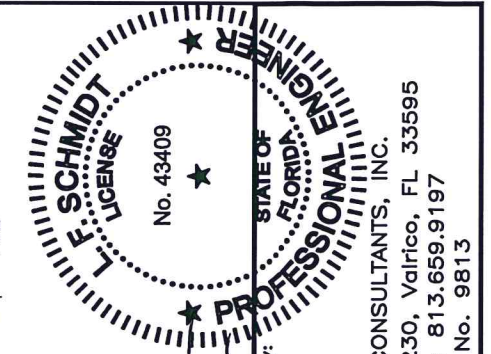
DETAIL 2



DETAIL 3



DETAIL 1



Documents Prepared By:  
Lyndon F. Schmidt  
P.E. No. 43409  
9/14/15  
LFS

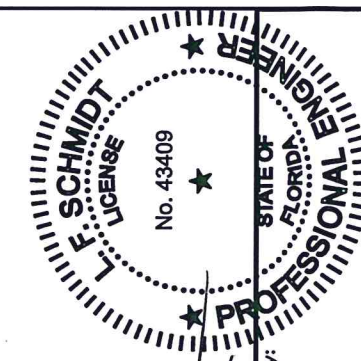
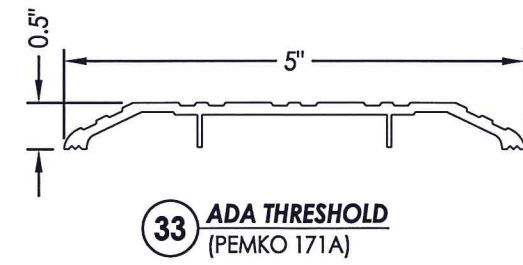
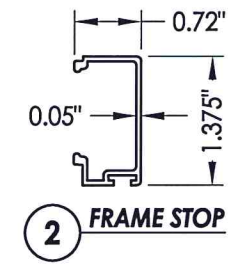
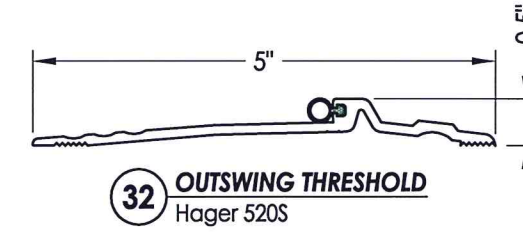
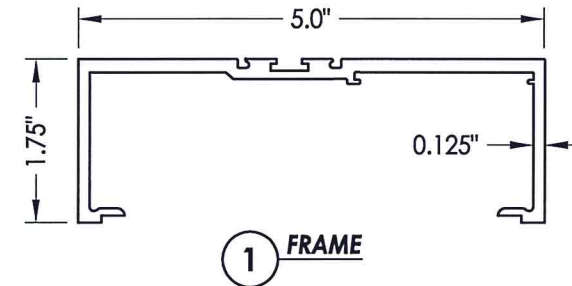
**RW** BUILDING CONSULTANTS, INC.  
P.O. Box 230, Valrico, FL 33595  
Phone No.: 813.659.9197  
FBPE C.A. No. 9813

PRODUCT: CLINE DOORS  
PART OR ASSEMBLY: BUCK AND FRAME ANCHORING (3' X 7')

NO.	DATE	REVISIONS
3	9/9/15	ADD OPAQUE DOOR JK
2	1/27/15	UPDATE TO 5TH ED. (2014) FBC JK
1	4/10/12	ADD ITEM #3 JK
		BY

DATE: 6/8/11  
SCALE: N.T.S.  
DWG. BY: JK  
CHK. BY: LFS  
DRAWING NO.: FL-6336.3  
SHEET 6 OF 7

BILL OF MATERIALS		
ITEM #	DESCRIPTION	MATERIAL
A	1X BUCK SG >= 0.55	WOOD
B	2X BUCK SG >= 0.55	WOOD
C	1/4" MAX. SHIM SPACE	-
D	1/4" X 2-3/4" ELCO OR ITW CONCRETE SCREW	STEEL
E	MASONRY - 3,000 PSI MIN. CONCRETE CONFORMING TO ACI 301 OR HOLLOW BLOCK CONFORMING TO ASTM C90	CONCRETE
F	1/4" X 3-1/2" HEX LAG SCREW	STEEL
G	1/4" X 4" HH ELCO OR ITW CONCRETE SCREW	STEEL
H	1/4" x 3-1/4" HH ELCO OR ITW CONCRETE SCREW	STEEL
J	1/4" x 1-3/4" HH ELCO OR ITW CONCRETE SCREW	STEEL
1	FRAME	ALUM 6063 T5
2	FRAME STOP	ALUM 6063 T5
5	SILICONE SEALANT	SILICONE
7	WEATHERSTRIP	PVC
8	WOOL PILE WEATHERSTRIP	-
9	4-1/2" X 4-1/2" HINGE	STEEL
10	#12 X 11/16" PPH SELF-DRILLING SMS	STEEL
16	ANSI DEADBOLT STRIKE PLATE	STEEL
17	ANSI LATCH STRIKE PLATE	STEEL
20	CORNER REINFORCEMENT	STEEL
21	#10 X 1" PPH SMS	STEEL
22	#10 X 1/2" PPH SMS	STEEL
24	DOOR SWEEP (PEMKO 345AV)	-
25	#6 X 5/8" PPH SMS	STEEL
32	OUTSWING THRESHOLD	ALUM
33	ADA THRESHOLD (PEMKO 171A)	ALUM
40	DOOR PANEL (SEE DOOR PANEL DETAILS)	-



Documents Prepared By:  
Lyndon F. Schmidt  
P.E. No. 43409

**R.W.**  
BUILDING CONSULTANTS, INC.  
P.O. Box 230, Valrico, FL 33595  
Phone No.: 813.659.9197  
FBPE C.A. No. 9813

PRODUCT:	CLINE DOORS	
PART OR ASSEMBLY:	BILL OF MATERIALS & COMPONENTS	
NO.	DATE	BY
3	9/9/15	JK
2	1/27/15	JK
1	4/10/12	JK
REVISIONS		
DATE:	6/8/11	
SCALE:	N.T.S.	
DWG. BY:	JK	
CHK. BY:	LFS	
DRAWING NO.:	FL-6336.3	
SHEET	7	OF 7